

300mm f2.8 Zuiko Digital Telephoto Lens

Zuiko Digital lenses are an integral part of an SLR system designed from the ground up for digital photography. An uncompromising system in which body and lens operate in concert to deliver the levels of resolution, contrast and control required by the world's top photo professionals.

Zuiko Digital Lens Advantages

Digital Specific Lens™ Zuiko Digital lenses are designed to focus light straight into an imager's pixel wells, to fill every pixel consistently. It's optical technology that delivers an image filled from center to edge with rich, accurate color, high contrast and subtle gradation. Designed exclusively for digital photography, Zuiko Digital lenses provide a level of precision that's simply unattainable from a digital body using a traditional 35mm film lens.

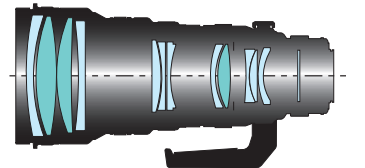
Smaller and Faster Designed to take full advantage of the Olympus E-1 Digital SLR's FourThirds imager, Zuiko Digital lenses are smaller, lighter and up to a full stop faster than comparable film lenses. It's a compact, powerful system that combines superior imaging with unprecedented mobility.

Smart System Zuiko Digital lenses communicate image information directly to the Olympus E-1 Digital SLR for a level of exposure accuracy that's beyond the capabilities of a passive lens.

The significantly smaller and lighter 300mm Zuiko Digital Telephoto lens provides the impressive power of a 600mm telephoto lens in 35mm photography.



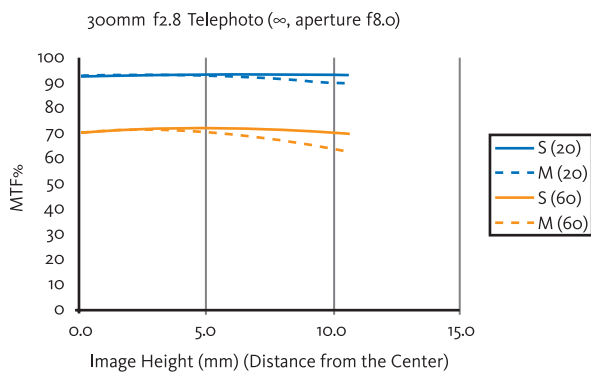
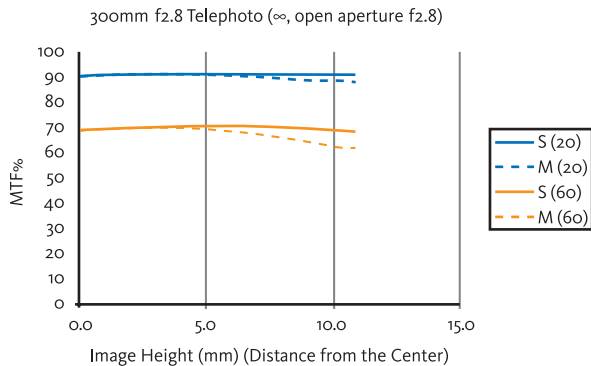
The 300mm Zuiko Digital Macro lens features 13 elements in 11 groups, including three Extraordinary Dispersion glass elements to minimize color smear, chromatic aberration and fringing, ensuring sharp and accurate edge-to-edge detail.



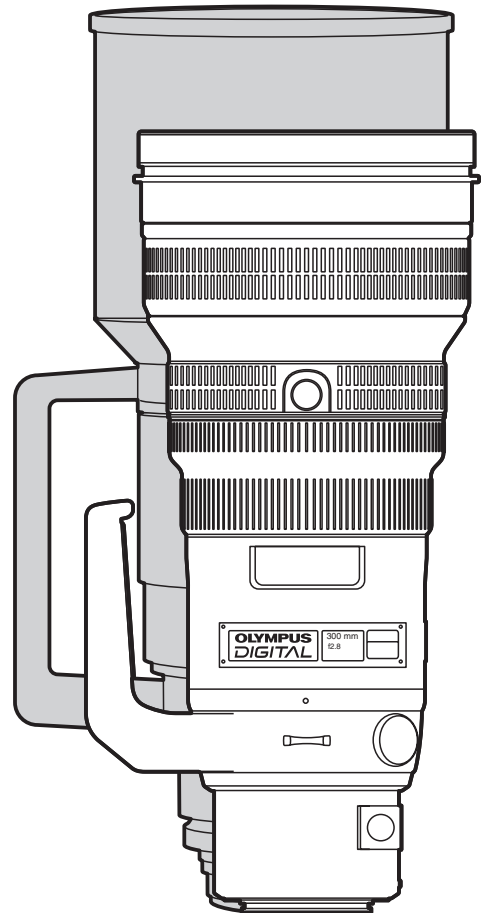
300mm f2.8 Zuiko Digital Telephoto Lens

Stock No. 261004

Focal Length	300mm Telephoto (600mm 35mm equivalent)
Lens Construction	13 elements in 11 groups, including 3 ED elements and 1 filter holder
Focusing Mechanism	Inner focus with floating mechanism
Angle of View	4.2°
Closest Focusing Distance	6.6 ft. (2 m)
Maximum Image Magnification	1:5.3 (1:2.6 35mm equivalent)
Maximum Aperture	f2.8
Minimum Aperture	f22
Number of Blades	9
Filter Size	Exclusive drop-in filter
Dimensions	5.1" D x 11.1" L (129 mm x 281 mm)
Weight	7.2 lbs. (3.3 kg) with tripod adapter
Compatibility	
TeleConverter EC-14	Yes
Extension Tube EX-25	Extended maximum image magnification: 1:3.4
Box Contents	300mm f2.8 Zuiko Digital Telephoto Lens, Lens Hood LH-120, Tripod Adapter, Drop-in Filter Set (Filter Holder DFH-1, Filter ND4-1, Filter ND-8-1, Clear Filter SCF-1, PL Filter DPF-1), Lens Case LS-1SH, Lens Shoulder Strap LSS-1, Lens Cap LC-112, Lens Rear Cap LR-1, Instruction Manual, Warranty Card



Innovative design, the finest materials and cutting-edge manufacturing techniques result in measurably superior image quality. In these MTF charts, the blue lines measure contrast while the yellow lines track resolution, measured from the center of the image to the corner (left to right on chart). When compared to lenses with similar apertures and comparable focal lengths, these higher curves indicate superior lens performance.



The 300mm Zuiko Digital Telephoto lens is smaller, lighter and, in most cases, brighter than an equivalent 35mm film lens.