

OLYMPUS[®]

ZUIKO DIGITAL
ED300mm f2.8

EN Instructions

For customers in Europe



The "CE" mark indicates that this product complies with the European requirements for safety, health, environment and customer protection. CE-mark products are for sale in Europe.

For customers in USA

FCC Notice

This device complies with part 15 of the FCC rules. Operation is subject to the following two conditions: (1) This device may not cause harmful interference, and (2) this device must accept any interference received, including interference that may cause undesired operation.

Any unauthorized changes or modifications to this equipment would void the user's authority to operate.

For customers in CANADA

This Class B digital apparatus complies with Canadian ICES-003.

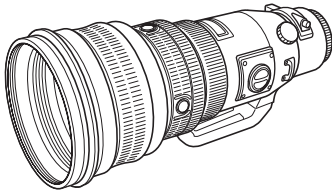
Features

- The ED300mm f2.8 is a lens with high imaging capability, designed exclusively for use with Olympus FOUR THIRDS single-lens-reflex digital cameras.
- Dustproof and drip-proof construction.
- Super-telephoto lens corresponding to a 600 mm lens for a 35 mm camera.
- F2.8 high-quality lens with 13 elements in 11 groups including three ED (extra-low dispersion) glass elements.
- Can be used in combination with the optional EC-14 teleconverter.
- Can be used in combination with the optional EX-25 extension tube for low-magnification shooting (between 0.08X and 0.25X).

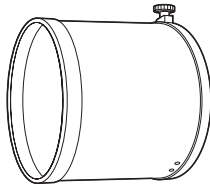
Contents

• Checking the Package Contents	13
• Nomenclature	14
• Attaching the Lens Strap	14
• Attaching the Lens Case Strap	14
• Attaching the Lens Hood LH-120	15
• Filters	15
• Mounting a Filter	16
• Focus Limit Switch	17
• Focus Stop Buttons	17
• Shooting Cautions	17
• Attaching the Lens Cap LC-140	17
• Precautions: Be Sure to Read the Following	18
• Main Specifications	19

Checking the Package Contents



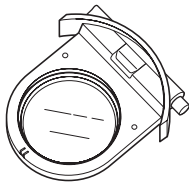
Lens body



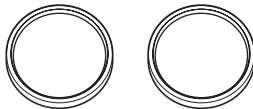
Lens Hood LH-120



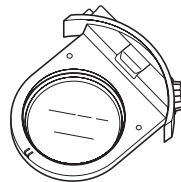
Lens Case LSH-1738



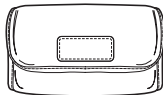
Drop-In Filter Holder DFH-43/
Standard Clear Filter SCF-43
(Mounted on the lens body at the factory)



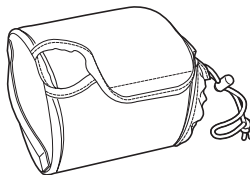
Filters (ND4-43, ND8-43)



Drop-In Circular PL Filter DPF-43



Filter Case FSC-1

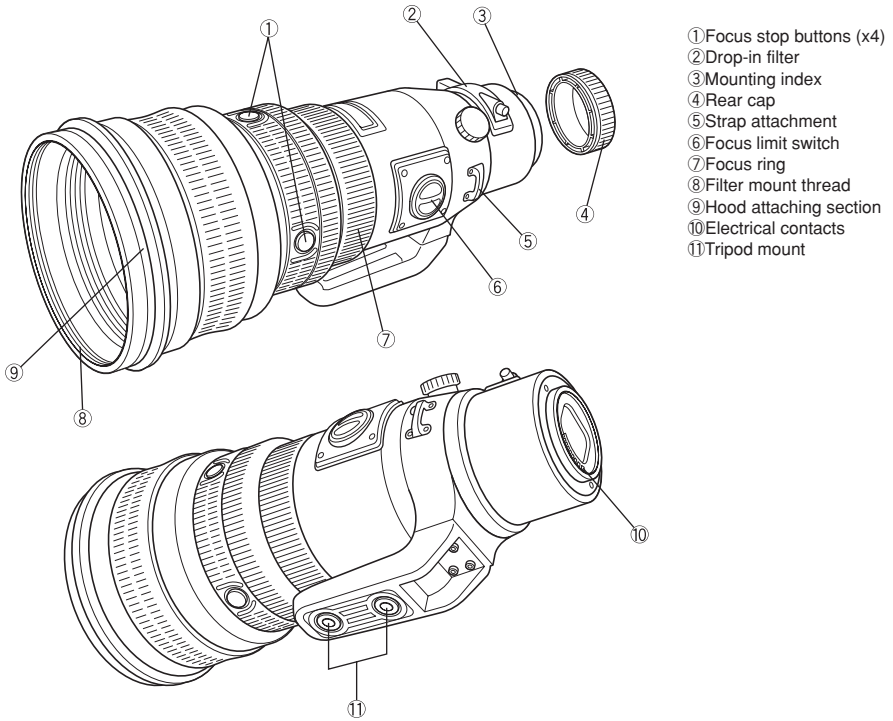


Lens Cap LC-140

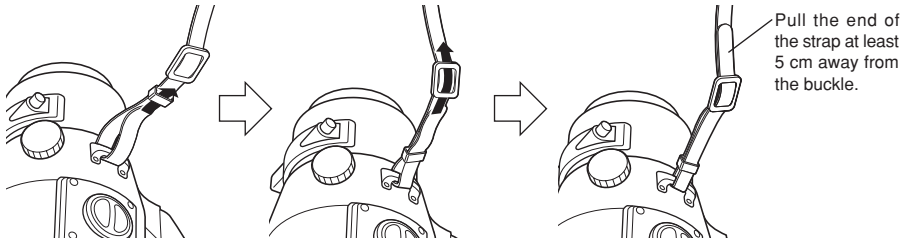


Lens strap

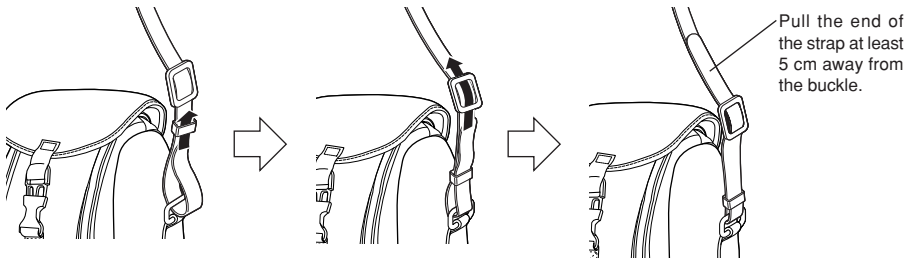
Nomenclature



Attaching the Lens Strap

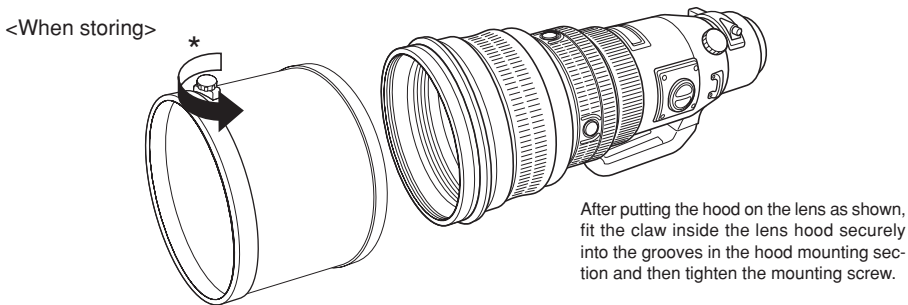
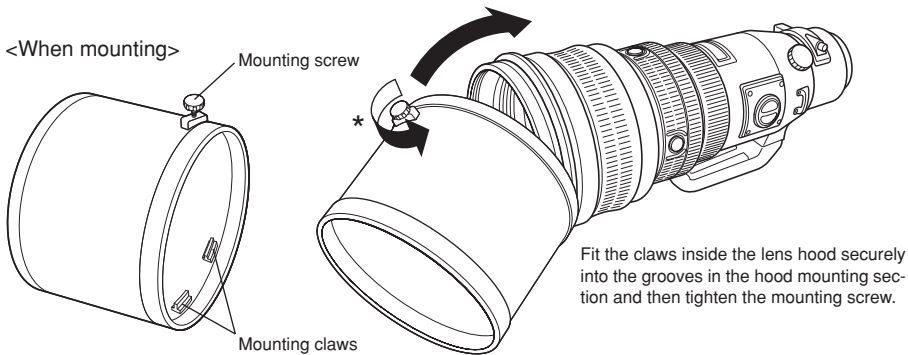


Attaching the Lens Case Strap



Attaching the Lens Hood LH-120

* Before mounting the lens hood on the lens or before storing them, loosen the mounting screw until it stops.



Filters

The lens comes with the following filters.

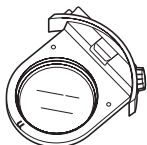
① Standard clear filter SCF-43 Always mount this filter when not using any of the other filters.



② ND4-43 Decreases the amount of light entering the lens by 1/4.



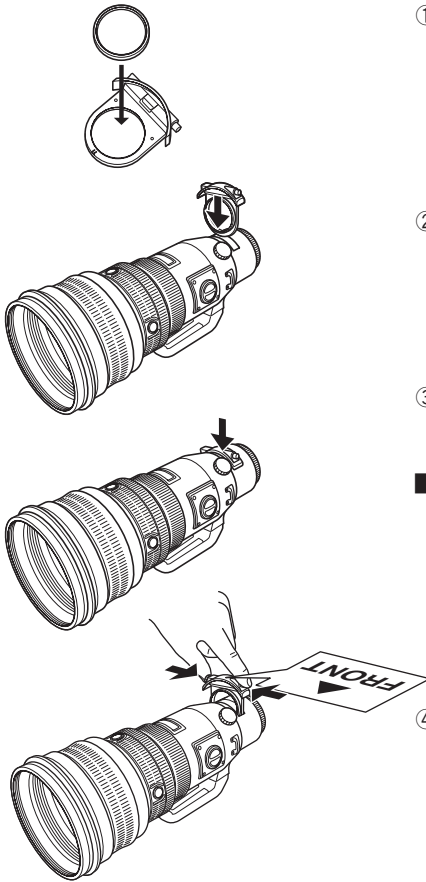
③ ND8-43 Decreases the amount of light entering the lens by 1/8.



④ Drop-in PL filter DPF-43
This filter eliminates surface reflected light.
The amount of reflected light eliminated can be adjusted with a rotary lever.

Mounting a Filter

1. ND4-43/ND8-43



- ① Remove the SCF-43 clear filter from the filter holder and attach the ND4-43 or ND8-43 to the filter holder.
 - The DPF-43 drop-in PL filter should not be used with the filter holder.

- ② Insert the filter holder in the lens's mounting section.

- ③ Firmly push the filter holder in until it clicks.
 - After mounting the filter holder, make sure that it does not come off.

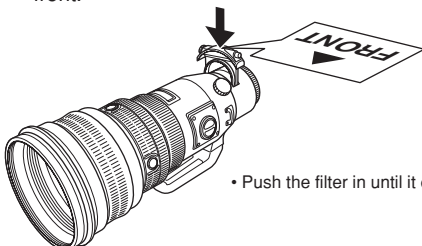
■ Notes:

If the filter holder is improperly mounted, it may come off. In this case, the unit's dust and drip resistance may be compromised.

- ④ When detaching the filter holder, push and hold the detach button and pull out the filter holder.

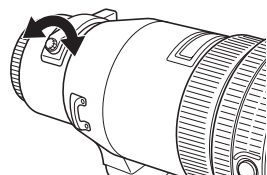
2. Drop-in PL filter DPF-43

- ① Attach the DPF-43 drop-in PL filter to the lens body so that the ▲ is pointing to the front.

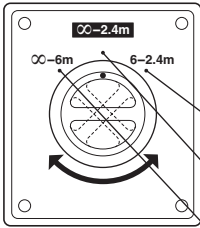


• Push the filter in until it clicks.

- ② Rotate the rotary lever to adjust the level of surface reflection elimination.



Focus Limit Switch

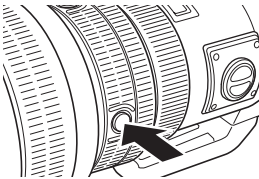


This switch limits the autofocus range to speed up focusing in each range.

Select the optimum mode according to the shooting distance.

- Close-up shooting : Autofocus is performed between 6 meters and 2.4 meters.
- Normal shooting : Autofocus is performed from ∞ (infinity) to 2.4 meters.
- Distant shooting : Autofocus is performed from ∞ (infinity) to 6 meters.

Focus Stop Buttons

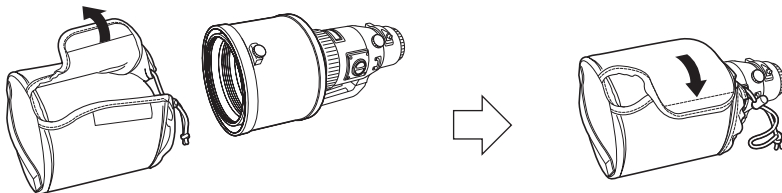


- By holding down one of the focus stop buttons, you can deactivate autofocus operation and fix focus at the point where the button was pressed.
- Four buttons are provided. All have the same effect.

Shooting Cautions

- Be sure to attach the hood when shooting against the light.
- When two or more filters are used or a thick filter is used, part of the picture may be cut off or obscured.

Attaching the Lens Cap LC-140

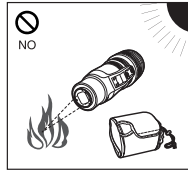


Precautions: Be Sure to Read the Following

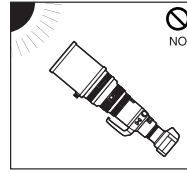
⚠ Warnings: Safety Precautions



Do not view the sun through the lens.

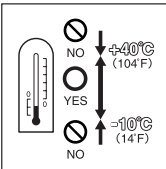


Do not leave the lens without the cap. If solar light is converged through the lens, a fire may result.

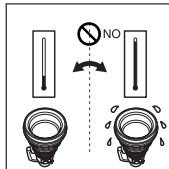


Do not point the camera lens at the sun. Sunlight will converge in the lens and focus inside the camera, possibly causing a malfunction or fire.

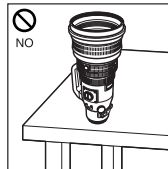
Handling Precautions



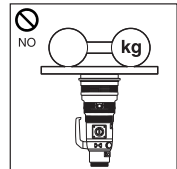
Working temperature range



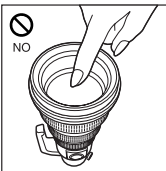
Abrupt temperature changes



Do not put the lens with its contacts facing down.



Too much pressure



Do not touch the lens.



Submergence



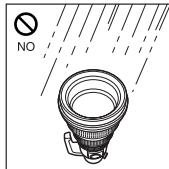
Do not touch the contacts.



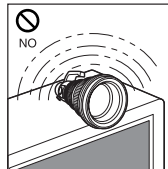
Do not drop



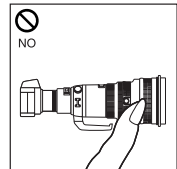
Organic solvents



Excessive moisture

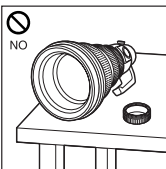


Magnetism



Do not hold the camera by the section of the lens extended by the focusing operation.

Storage Precautions



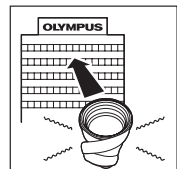
Cap the lens when it is not used.



Lens cleaning



Moth repellents



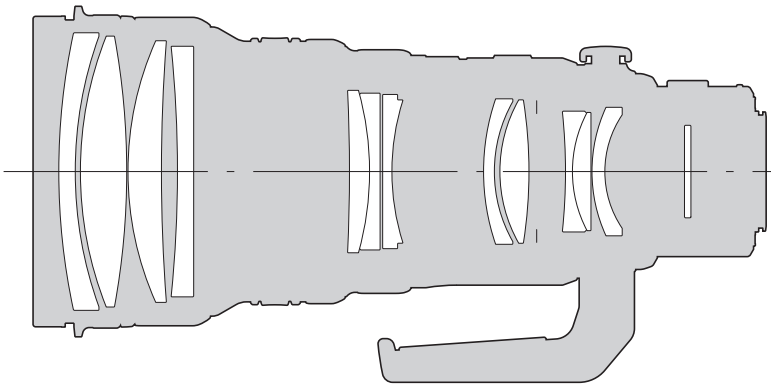
If you experience any problems, contact your nearest Olympus service center.

Main Specifications

Mount	: Four Thirds mount
Focal distance	: 300 mm
Max. aperture	: f2.8
Image angle	: 4.2°
Lens configuration	: 13 elements in 11 groups Multi-layer coating (partial single-layer coating)
Iris control	: f2.8 to f22
Shooting range	: 2.4 m to ∞ (infinity)
Focus adjustment	: AF/MF switching
Weight	: 3290 g (excluding hood and cap)
Dimensions	: Max. dia. ø127 x Overall length 285 mm
Lens hood mount	: Covering
Filter mount thread diameter	: 112 mm

- Design and specifications are subject to change without any notice or obligation on the part of the manufacturer.

Lens configuration diagram



● Technical Support (USA)

24/7 online automated help: <http://www.olympusamerica.com/E1>

Phone customer : Tel.1-800-260-1625 (Toll-free)

Our phone customer support is available from 8 am to

10 pm (Monday to Friday) ET

E-Mail : e-slrpro@olympusamerica.com

● European technical Customer Support

Please visit our homepage <http://www.olympus-europa.com>

or call NUMBER : Tel.00800-67 10 83 00 (Toll-free)

+49 1805-67 10 83 or +49 40-23 77 38 99 (Charged)